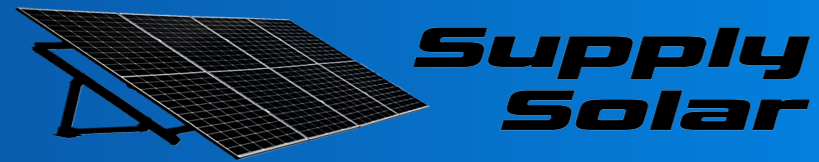


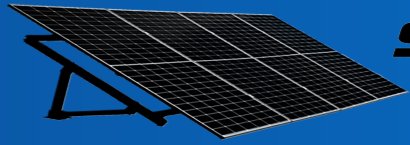
---

# SOLAR RACKING COMPONENT



**Supply  
Solar**



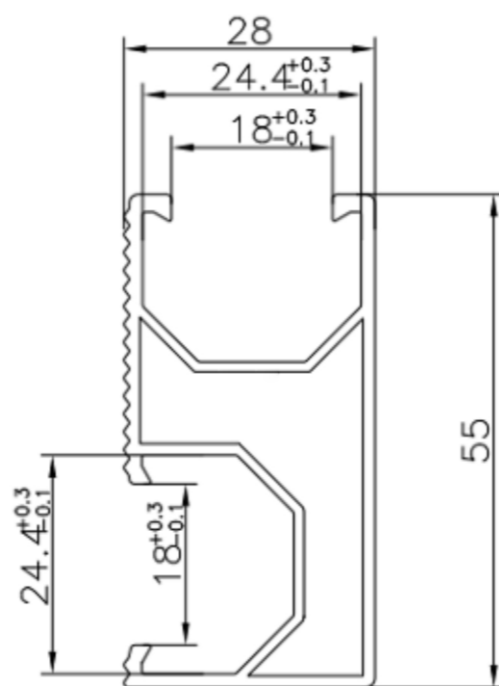
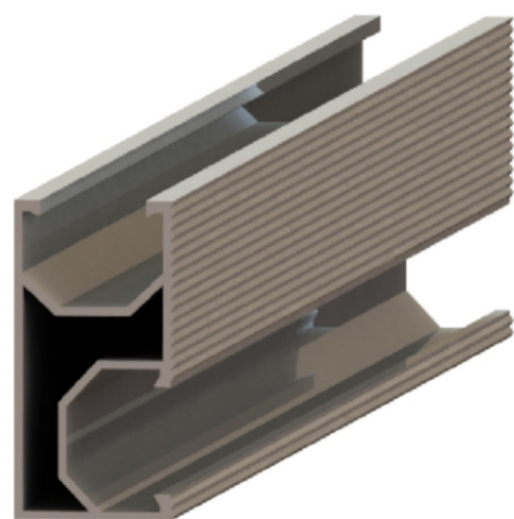


**Supply  
Solar**

# ■ Contents

■ MG-DR	01	■ MG-IC-F	21
■ MG-DRS	02	■ MG-EC-F35/40	22
■ MG-28*40DR	03	■ MG-EC-F	23
■ MG-GR-3500	04	■ MG-TFM-01	24
■ MG-DR-SP	05	■ MG-TFE-01	25
■ MG-RS-28	06	■ MG-DM-25	26
■ MG-RK-01	07	■ MG-G-GC	27
■ MG-RK-02	08	■ MG-SSCC-01	28
■ MG-AD-FL	09	■ MG-G-GL	29
■ MG-AD-RL-15/30	10	■ MG-G-BJ	30
■ MG-AD-RL-10/15	11		
■ MG-IK-H04	12	■ MG FLAT ROOFTOP SYSTEM	31
■ MG-IK-05	13	■ MG TIN ROOFTOP SYSTEM	33
■ MG-IK-05L	14	■ MG TILE ROOFTOP SYSTEM	35
■ MG-IK-MG750	15	■ MG TILT ROOFTOP SYSTEM	37
■ MG-IK-MG700	16		
■ MG-AD-TF	17		
■ MG-RC-D	18		
■ MG-IC-F50	19		
■ MG-EC-F50	20		

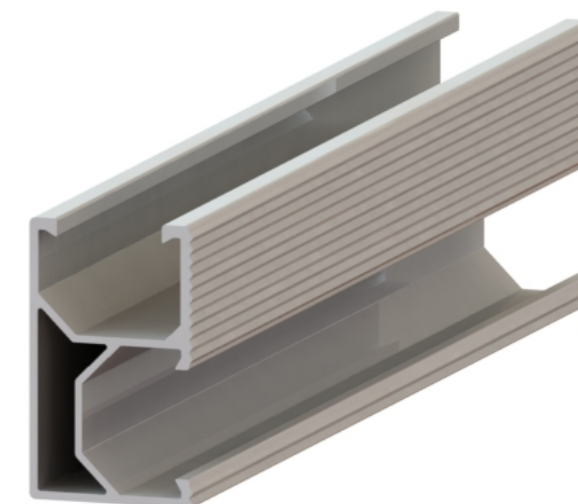
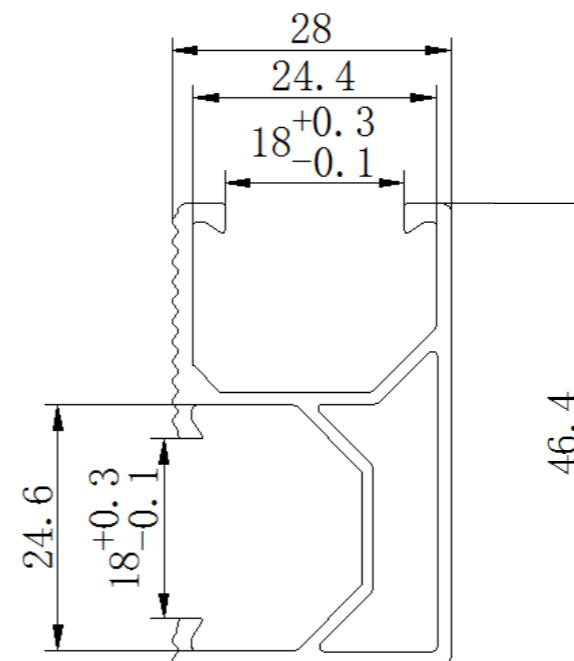
## MG-DR



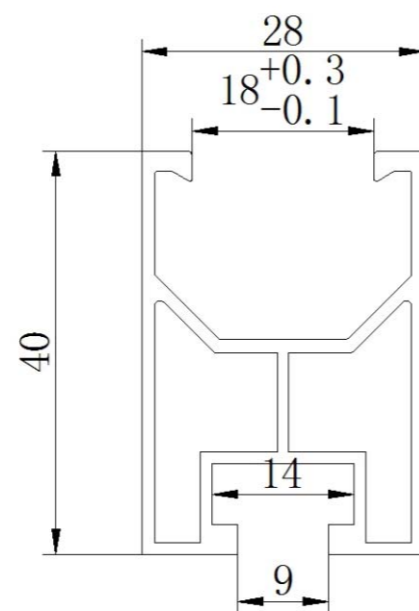
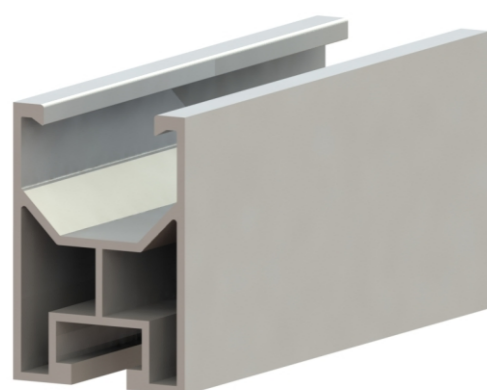
<b>Product CODE</b>	MG-DR
<b>Product Name</b>	MG Rail
<b>MATERIAL</b>	AL6005-T5
<b>SURFACE TREATMENT</b>	ANODIZING 10um
<b>Length</b>	4200/4400/4800mm

## MG-DRS

<b>Product CODE</b>	MG-DRS
<b>Product Name</b>	TTS Rail
<b>MATERIAL</b>	AL6005-T5
<b>SURFACE TREATMENT</b>	ANODIZING 10um
<b>Length</b>	4200/4400/4800mm



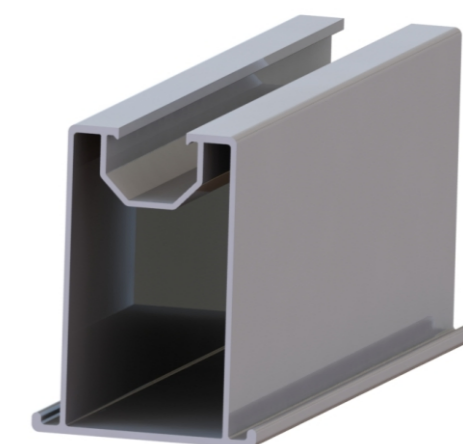
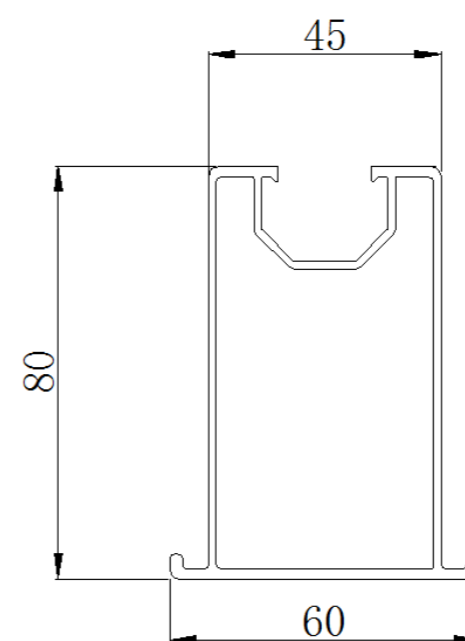
## MG-28\*40DR



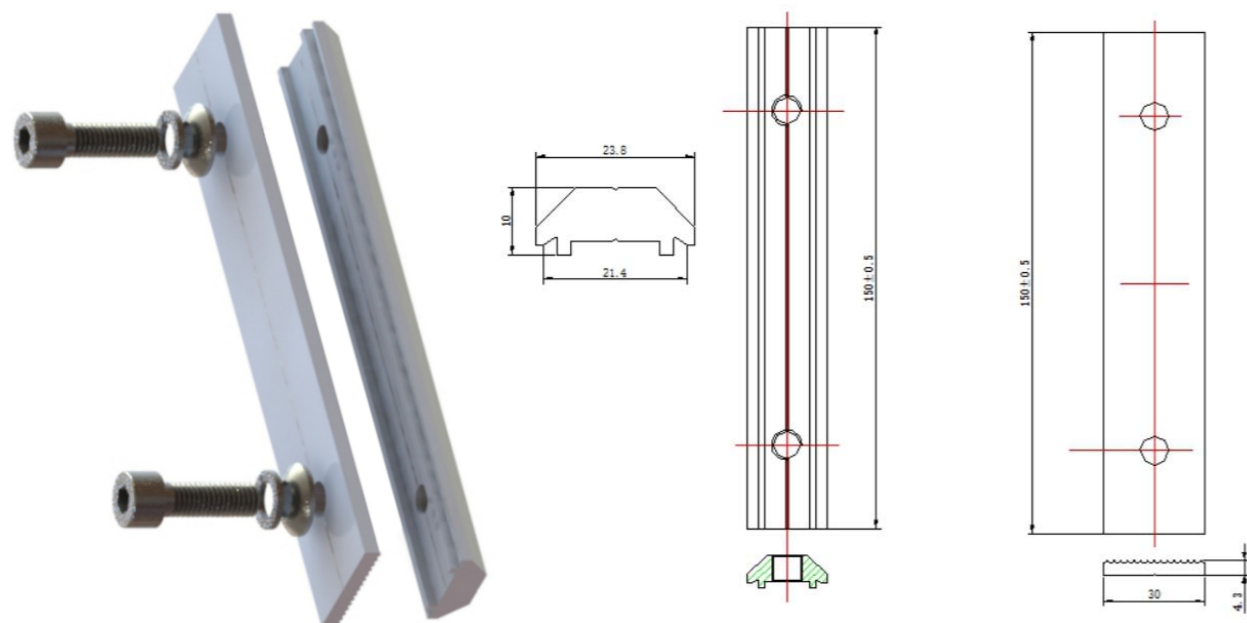
<b>Product CODE</b>	MG-28*40DR
<b>Product Name</b>	28*40 RAIL
<b>MATERIAL</b>	AL6005-T5
<b>SURFACE TREATMENT</b>	ANODIZING 10um
<b>Length</b>	4200/4400/4800mm

## MG-GR-3500

<b>Product CODE</b>	MG-GR-3500
<b>Product Name</b>	Ground Rail 3500
<b>MATERIAL</b>	AL6005-T5
<b>SURFACE TREATMENT</b>	ANODIZING 10um
<b>Length</b>	3500mm



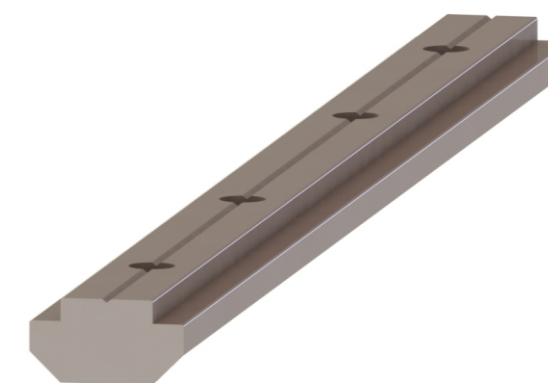
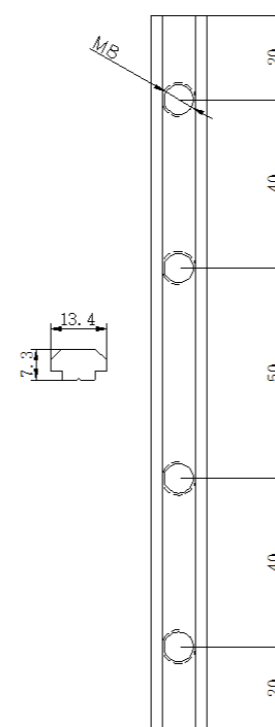
## MG-DR-SP



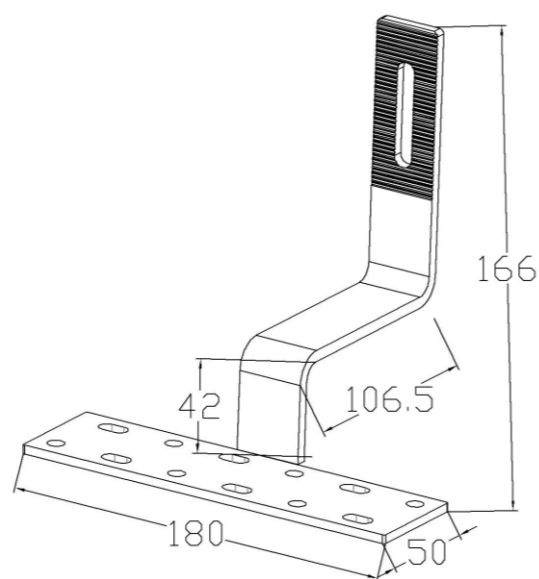
<b>Product CODE</b>	MG-DR-SP
<b>Product Name</b>	Rail Splice Kit
<b>MATERIAL</b>	AL6005-T5 & SS304 Bolt
<b>SURFACE TREATMENT</b>	ANODIZING 10um
<b>Package</b>	200pcs/carton,545*212*340mm
<b>Weight</b>	0.14KG/PC
<b>Length</b>	150mm
<b>Contents</b>	2x M8 bolt(25mm)

## MG-RS-28

<b>Product CODE</b>	MG-RS-28
<b>Product Name</b>	Rail Splice 28
<b>MATERIAL</b>	AL6005-T5 & SS304 Bolt
<b>SURFACE TREATMENT</b>	ANODIZING 10um
<b>Package</b>	400pcs/carton,545*212*340mm
<b>Weight</b>	0.04KG/PC
<b>Length</b>	170mm
<b>Contents</b>	4x M8*8 hexagon socket set screws with flat point



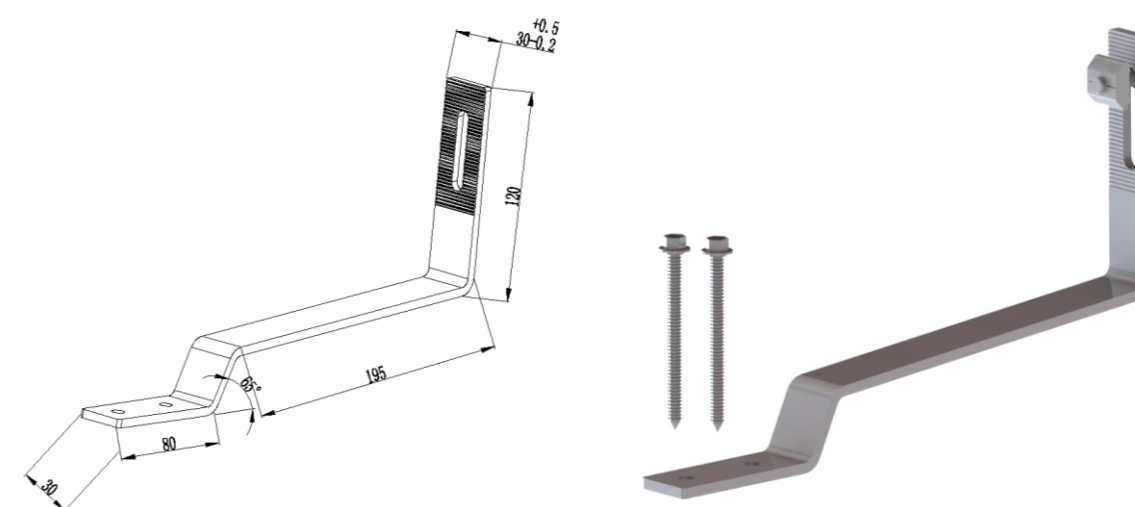
## MG-RK-01



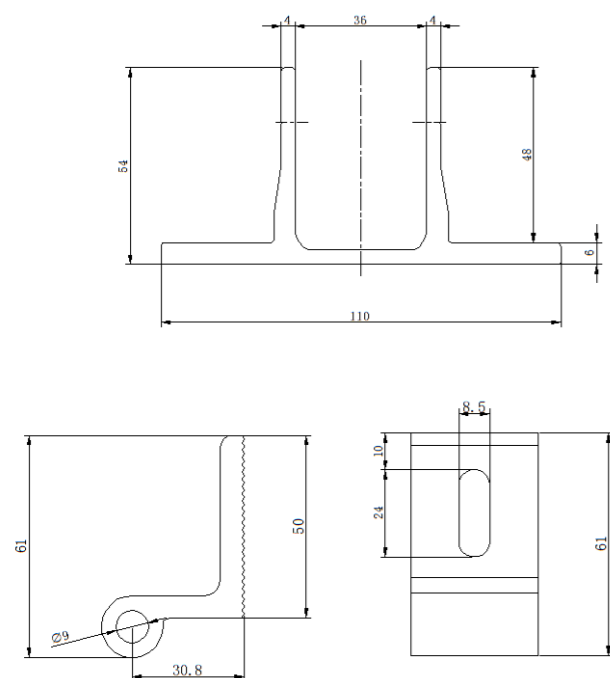
<b>Product CODE</b>	MG-RK-01
<b>Product Name</b>	Tile Roof Hook 01
<b>MATERIAL</b>	SS304
<b>SURFACE TREATMENT</b>	Stainless Steel
<b>Package</b>	40pcs/carton, 545*212*340mm
<b>Weight</b>	0.54KG/PC
<b>Contents</b>	1x M8 bolt(25mm) bolt withD-module, 3x ST6.3 (60mm) screws

## MG-RK-02

<b>Product CODE</b>	MG-RK-02
<b>Product Name</b>	Tile Roof Hook 02
<b>MATERIAL</b>	SS304
<b>SURFACE TREATMENT</b>	Stainless Steel
<b>Package</b>	25pcs/carton, 545*212*170mm
<b>Weight</b>	0.50KG/PC
<b>Contents</b>	1x M8 bolt(25mm) bolt withD-module, 2x ST6.3 (60mm) screws



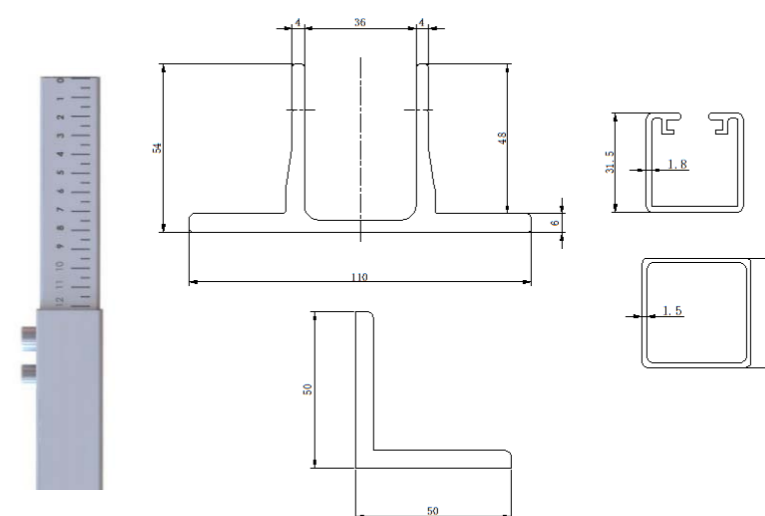
## MG-AD-FL



<b>Product CODE</b>	MG-AD-FL
<b>Product Name</b>	Adjustable Flat Roof Front Leg
<b>MATERIAL</b>	AL6005-T5 & SS304 Bolt
<b>SURFACE TREATMENT</b>	Stainless Steel
<b>Package</b>	80pcs/carton, 545*212*340mm
<b>Weight</b>	0.54KG/PC
<b>Contents</b>	1x M8 bolt(25mm) bolt withD-module, 3x ST6.3 (60mm) screws

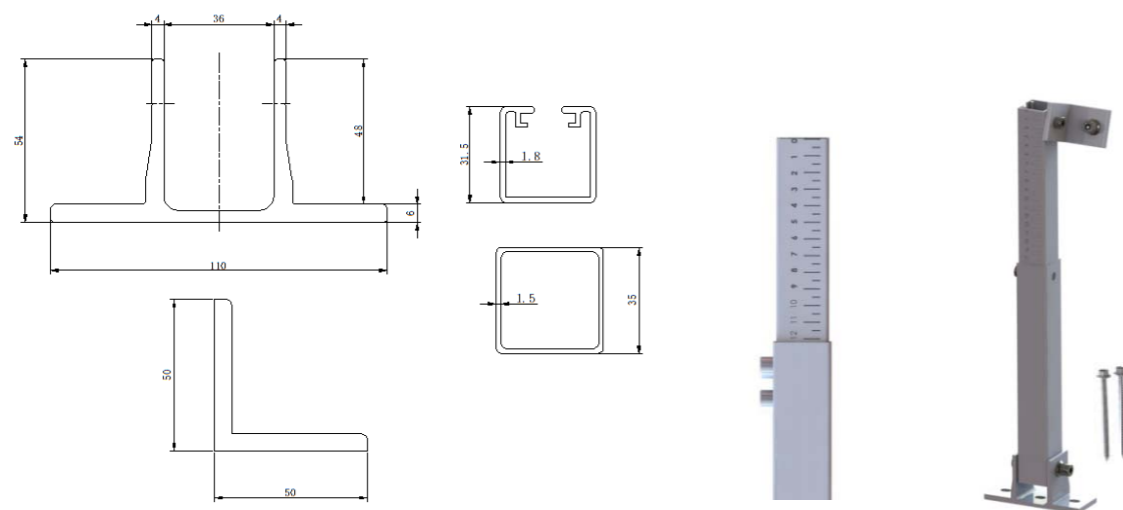
## MG-AD-RL-15/30

<b>Product CODE</b>	MG-AD-RL-15/30
<b>Product Name</b>	Adjustable Flat Roof Rear leg 15/30
<b>MATERIAL</b>	AL6005-T5 & SS304 Bolt
<b>SURFACE TREATMENT</b>	ANODIZING 10um
<b>Package</b>	25pcs/carton, 545*212*340mm
<b>Weight</b>	0.70KG/PC
<b>Degree</b>	15-30 degree
<b>Contents</b>	1x M8 bolt(25mm) bolt withD-module, 2x ST6.3 (80mm)screws,2x rubber pad



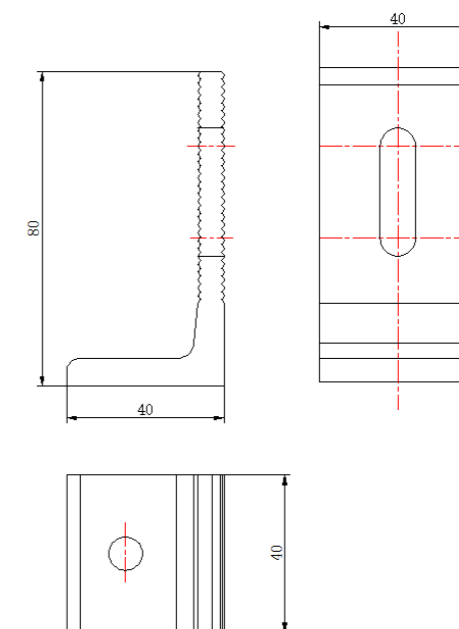
## MG-AD-RL-10/15

## MG-IK-H04



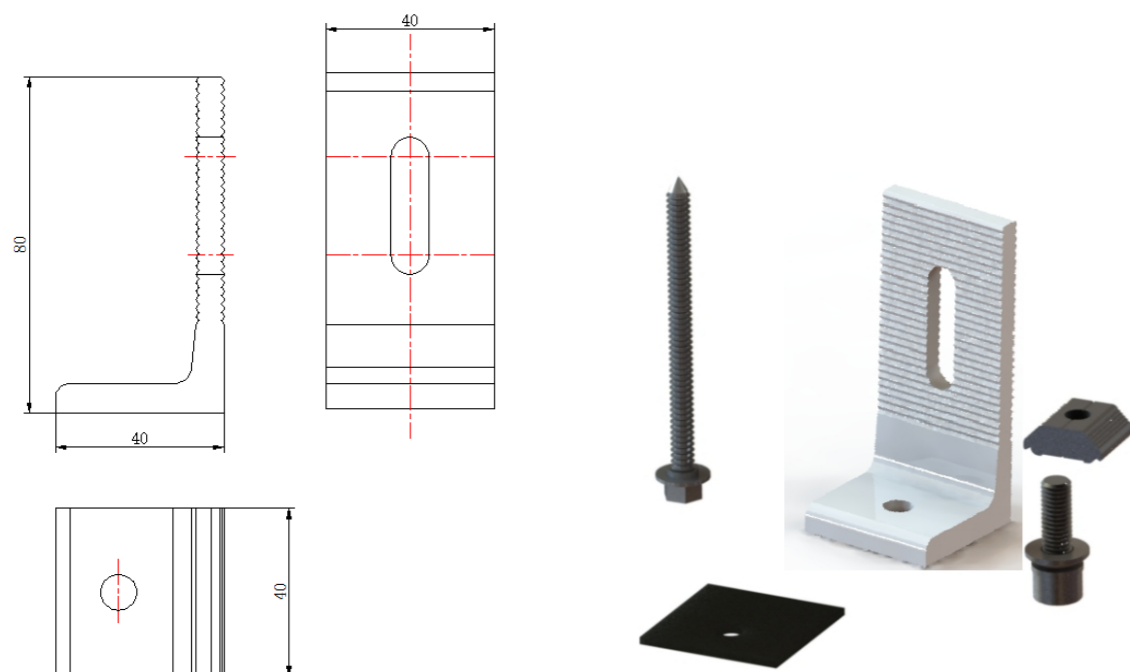
<b>Product CODE</b>	MG-AD-RL-10/15
<b>Product Name</b>	Adjustable Flat Roof Rear Leg 10/15
<b>MATERIAL</b>	AL6005-T5 & SS304 Bolt
<b>SURFACE TREATMENT</b>	ANODIZING 10um, B8 Coating Screw
<b>Package</b>	25pcs/carton,545*212*340mm
<b>Weight</b>	0.55KG/PC
<b>Degree</b>	10-15 degree
<b>Contents</b>	1x M8 bolt(25mm) with D-module, 2x ST6.3 (80mm)screws,2x rubber pad

<b>Product CODE</b>	MG-IK-H04
<b>Product Name</b>	L Foot H04
<b>MATERIAL</b>	AL6005-T5 & SS304 Bolt
<b>SURFACE TREATMENT</b>	ANODIZING 10um
<b>Package</b>	100pcs/carton 545*212*340mm
<b>Weight</b>	0.22KG/PC
<b>Length</b>	200mm
<b>Contents</b>	1x M10 bolt(200mm) with3xhexagon nuts withf lange 1x M8 bolt(25mm) withD-module





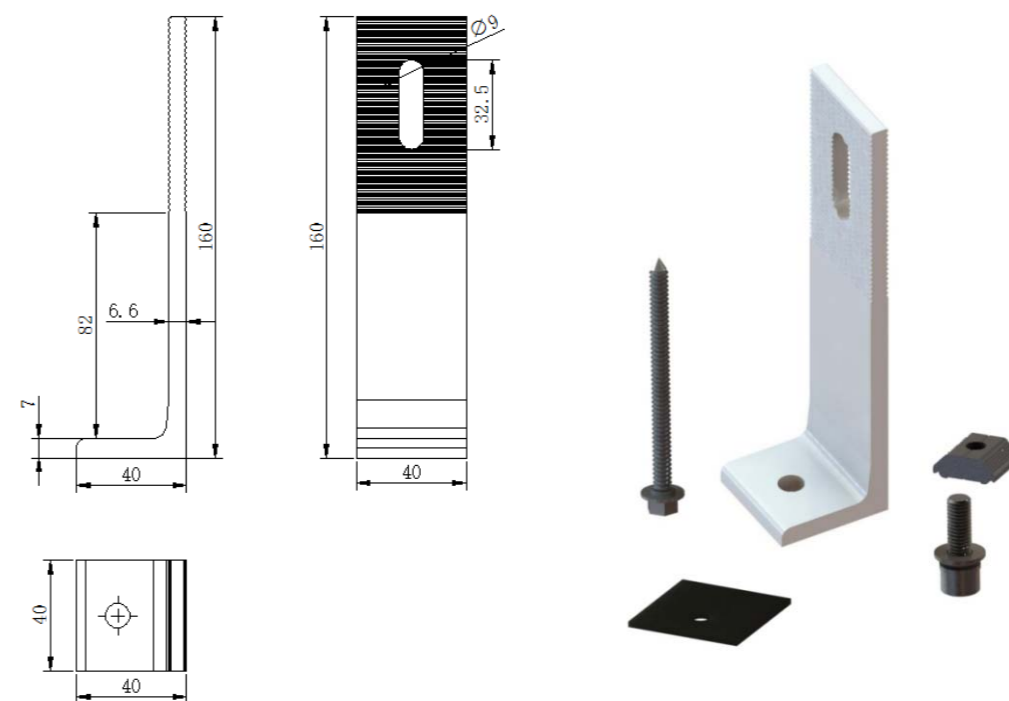
## MG-IK-05



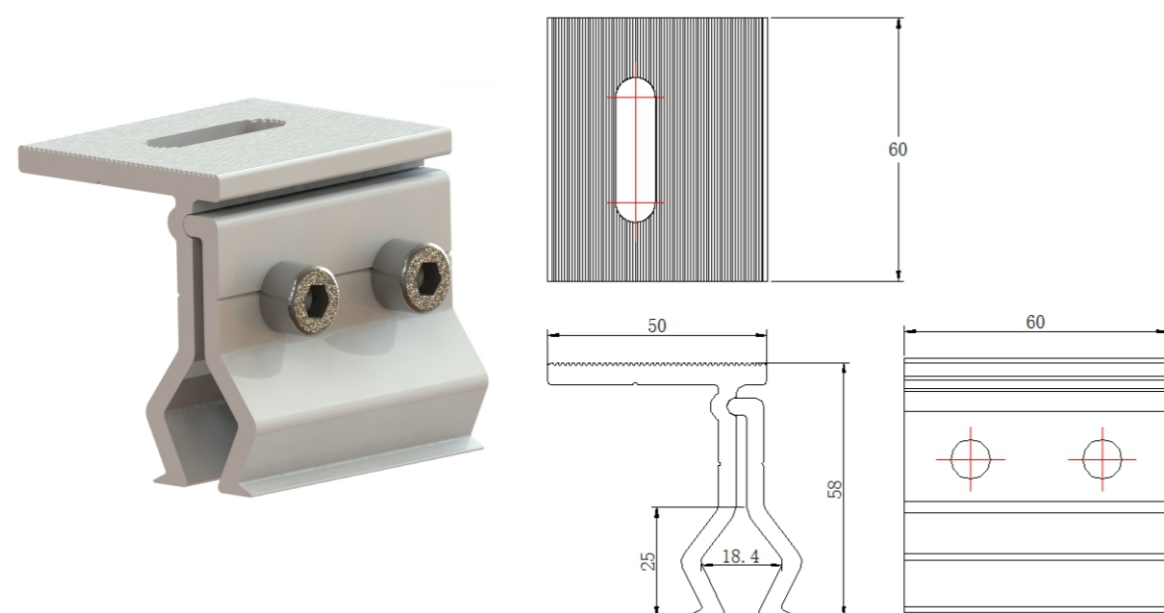
<b>Product CODE</b>	MG-IK-05
<b>Product Name</b>	L-Foot
<b>MATERIAL</b>	AL6005-T5 & SS304 Bolt
<b>SURFACE TREATMENT</b>	ANODIZING 10um
<b>Package</b>	200pcs/carton, 545*212*340mm
<b>Weight</b>	0.14KG/PC
<b>Contents</b>	1x M8 bolt (25mm) with D-module, 1x ST6.3 (80mm) screw & rubber pad

## MG-IK-05L

<b>Product CODE</b>	MG-IK-05L
<b>Product Name</b>	L-Foot 160mm
<b>MATERIAL</b>	AL6005-T5 & SS304 Bolt
<b>SURFACE TREATMENT</b>	ANODIZING 10um
<b>Package</b>	100pcs/carton, 545*212*340mm
<b>Weight</b>	0.24KG/PC
<b>Contents</b>	1x M8 bolt (25mm) with D-module, 1x ST6.3 (80mm) screw & rubber pad



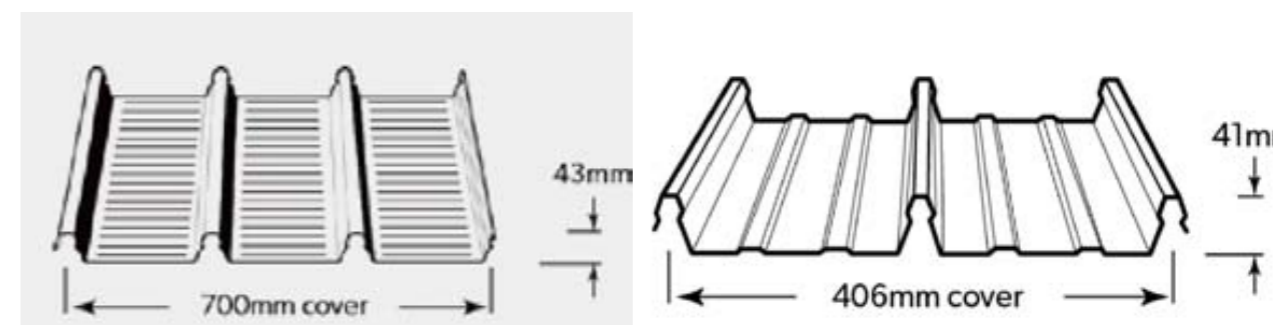
## MG-IK-MG750



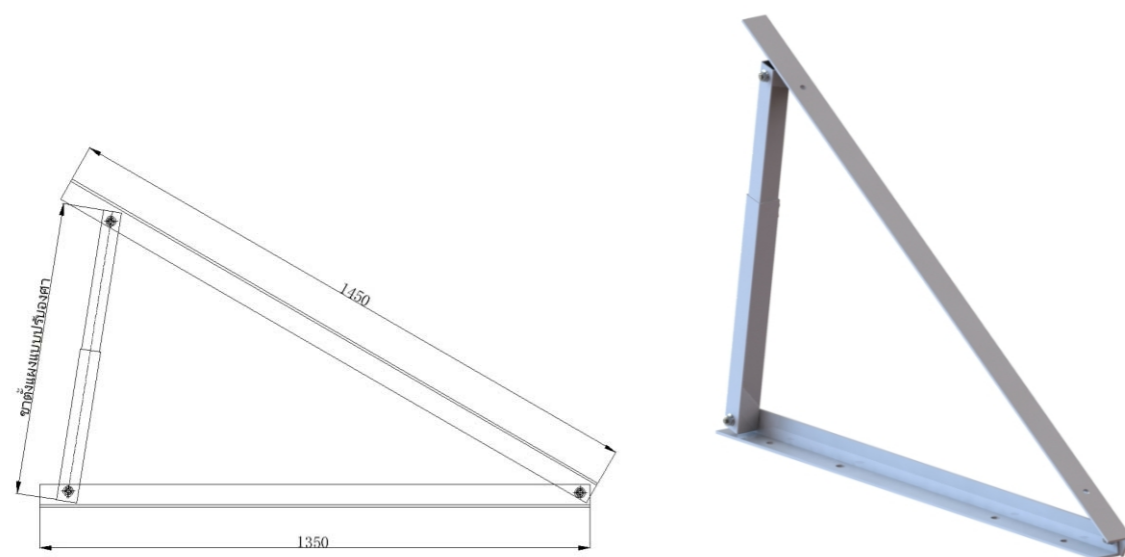
<b>Product CODE</b>	MG-IK-MG750
<b>Product Name</b>	MG Cliplok MG750
<b>MATERIAL</b>	AL6005-T5 & SS304 Bolt
<b>SURFACE TREATMENT</b>	ANODIZING 10um
<b>Package</b>	200pcs/carton, 545*212*340mm
<b>Weight</b>	0.19KG/PC
<b>Contents</b>	2x M8 bolt (25mm) 1x screw&ruber pad

## MG-IK-MG700

<b>Product CODE</b>	MG-IK-MG700
<b>Product Name</b>	Cliplok MG700
<b>MATERIAL</b>	AL6005-T5 & SS304 Bolt
<b>SURFACE TREATMENT</b>	ANODIZING 10um
<b>Package</b>	120pcs/carton,545*212*340mm
<b>Weight</b>	0.19KG/PC
<b>Length</b>	60mm
<b>Contents</b>	2x M8 bolt(35mm) 1x rubber pad



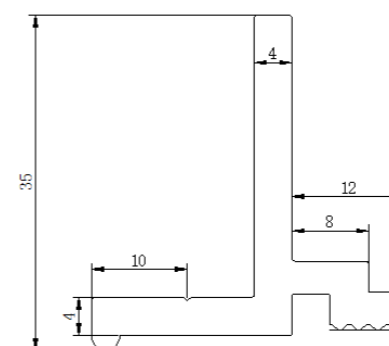
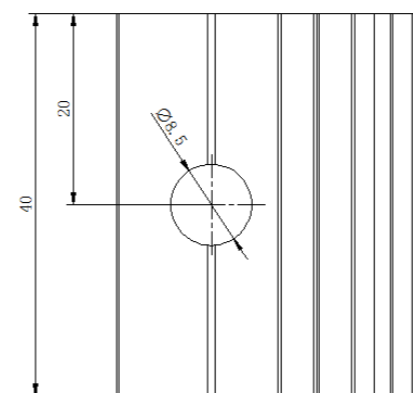
## MG-AD-TF



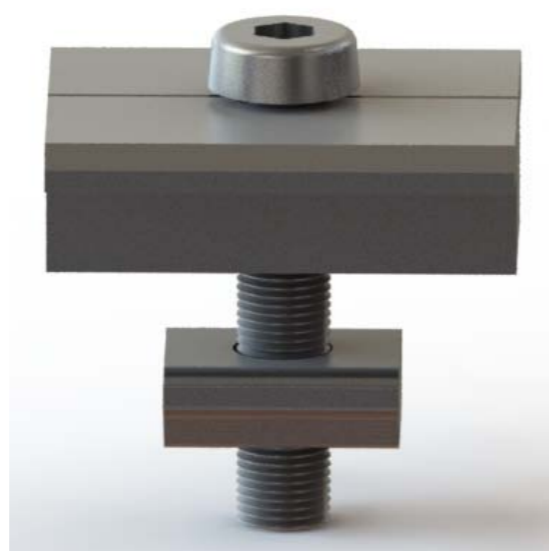
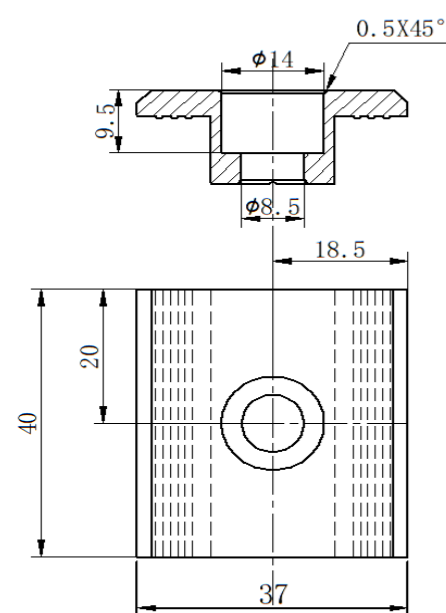
<b>Product CODE</b>	MG-AD-TF
<b>Product Name</b>	Tripod 1450MM
<b>MATERIAL</b>	AL6005-T5 & SS304 Bolt
<b>SURFACE TREATMENT</b>	ANODIZING 10um
<b>Package</b>	10pcs/bundle
<b>Weight</b>	2.69KG/PC
<b>Contents</b>	M8*25 hexagon screw & M8 flange nut M8*50 hexagon screw & M8 flange nut M8*55 hexagon screw & M8 flange nut

## MG-RC-D

<b>Product CODE</b>	MG-RC-D
<b>Product Name</b>	Rail Clamp
<b>MATERIAL</b>	AL6005-T5 & SS304 Bolt
<b>SURFACE TREATMENT</b>	ANODIZING 10um
<b>Package</b>	400pcs/carton,545*212*340mm
<b>Weight</b>	0.05KG/PC
<b>Contents</b>	M8 bolt(25mm) & D-module



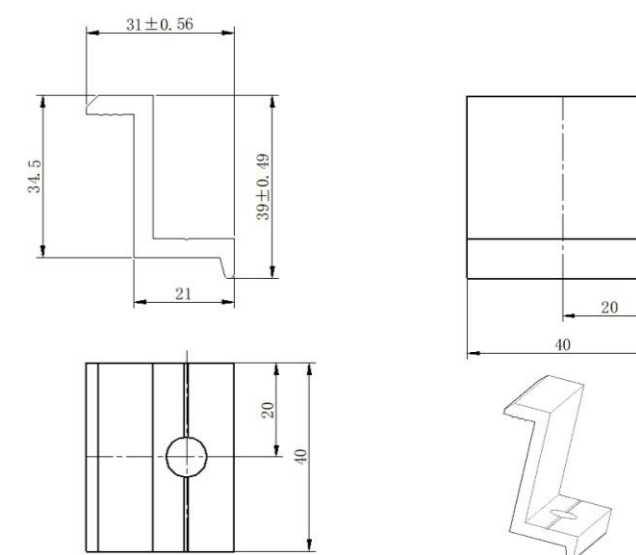
## MG-IC-F50



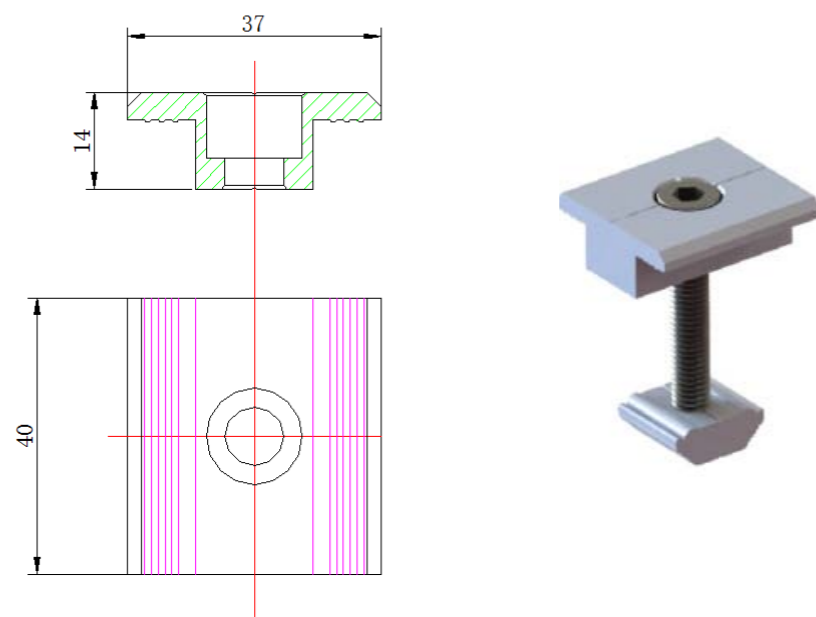
<b>Product CODE</b>	MG-IC-F50
<b>Product Name</b>	Inter Clamp Kit 50
<b>MATERIAL</b>	AL6005-T5 & SS304 Bolt
<b>SURFACE TREATMENT</b>	ANODIZING 10um
<b>Package</b>	400pcs/carton,545*212*340mm
<b>Weight</b>	0.06KG/PC
<b>Contents</b>	M8 bolt(50mm) &D-module

## MG-EC-F50

<b>Product CODE</b>	MG-EC-F50
<b>Product Name</b>	End Clamp Kit 50
<b>MATERIAL</b>	AL6005-T5 & SS304 Bolt
<b>SURFACE TREATMENT</b>	ANODIZING 10um
<b>Package</b>	400pcs/carton,545*212*340mm
<b>Weight</b>	0.06KG/PC
<b>Contents</b>	M8 bolt (30mm) &D-module



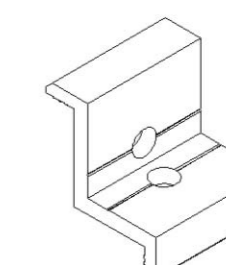
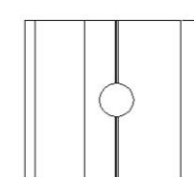
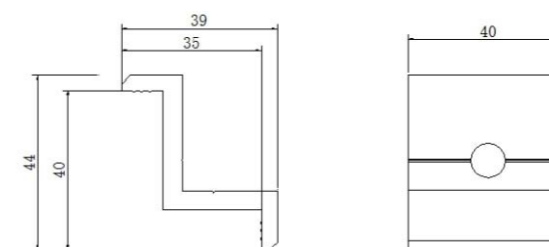
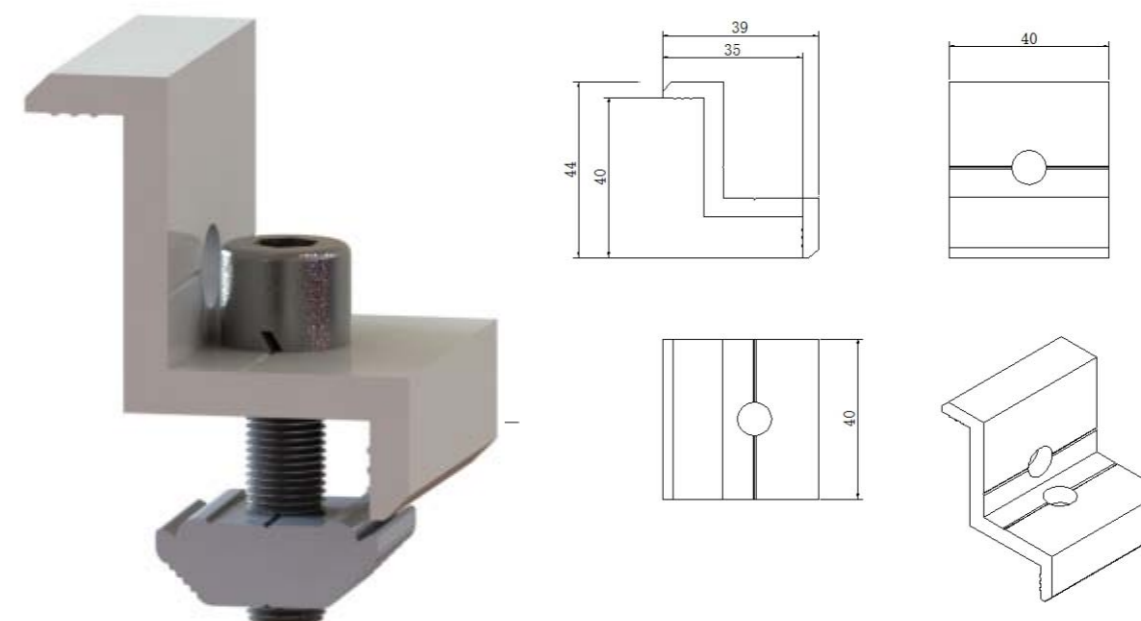
## MG-IC-F



<b>Product CODE</b>	MG-IC-F
<b>Product Name</b>	Inter Clamp Kit 30/35/40mm
<b>MATERIAL</b>	AL6005-T5 & SS304 Bolt
<b>SURFACE TREATMENT</b>	ANODIZING 10um
<b>Package</b>	400pcs/carton,545*212*340mm
<b>Weight</b>	0.06KG/PC
<b>Contents</b>	M8 bolt(50mm) &D-module

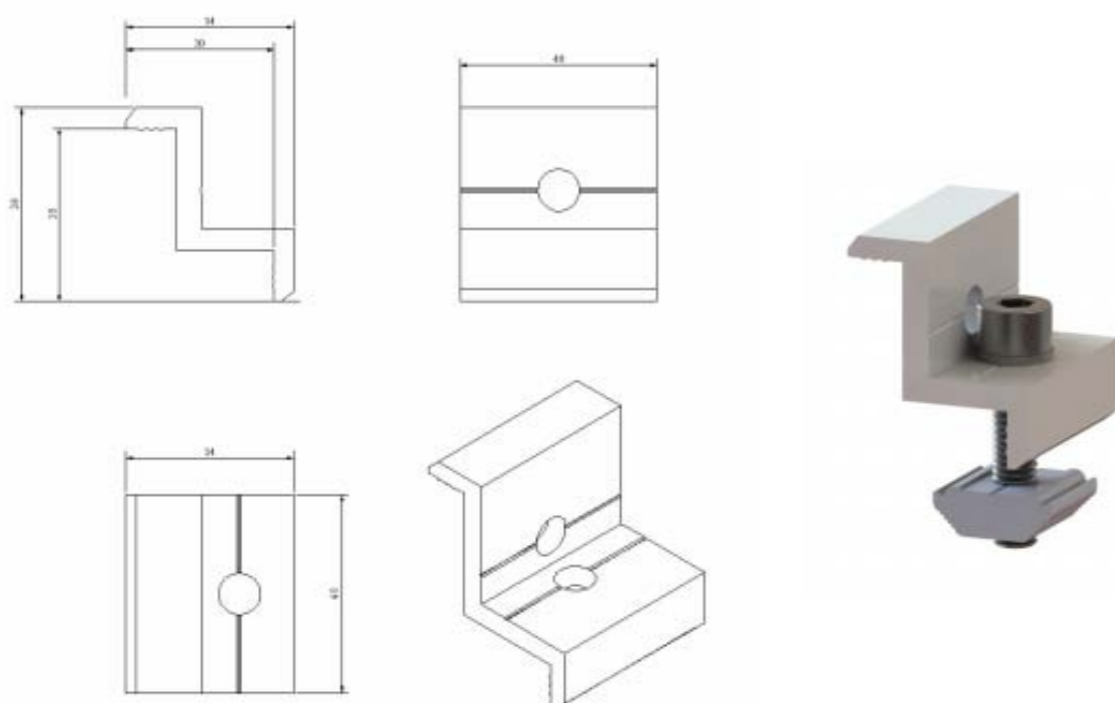
## MG-EC-F35/40

<b>Product CODE</b>	MG-EC-F35/40
<b>Product Name</b>	End Clamp Kit 35/40
<b>MATERIAL</b>	AL6005-T5 & SS304 Bolt
<b>SURFACE TREATMENT</b>	ANODIZING 10um
<b>Package</b>	400pcs/carton,545*212*340mm
<b>Weight</b>	0.06KG/PC
<b>Contents</b>	M8 bolt (30mm) &D-module



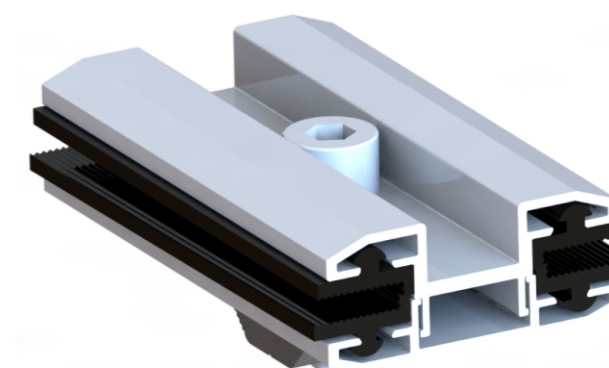
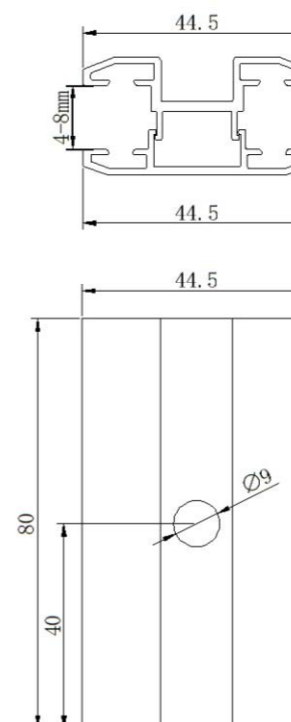
## MG-EC-F

## MG-TFM-01

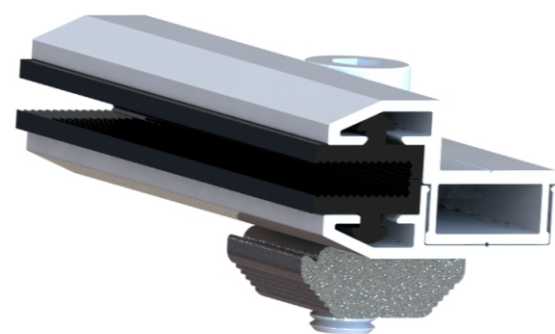
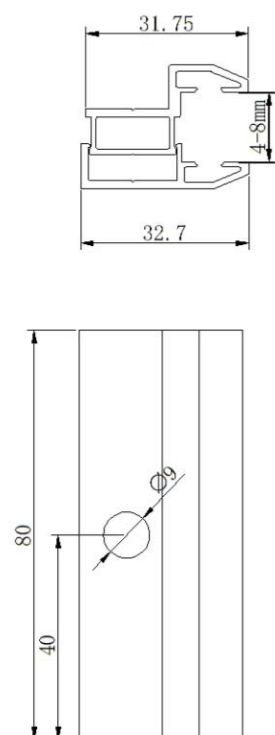


<b>Product CODE</b>	MG-EC-F30/35/40
<b>Product Name</b>	End Clamp Kit 30/35/40mm
<b>MATERIAL</b>	AL6005-T5 & SS304 Bolt
<b>SURFACE TREATMENT</b>	ANODIZING 10um
<b>Package</b>	400pcs/carton,545*212*340mm
<b>Weight</b>	0.06KG/PC
<b>Contents</b>	1x M8 bolt(30mm)withD-module

<b>Product CODE</b>	MG-TFM-01
<b>Product Name</b>	Thin Film Mid Clamp Kit 80MM
<b>MATERIAL</b>	AL6005-T5 & SS304 Bolt
<b>SURFACE TREATMENT</b>	ANODIZING 10um
<b>Package</b>	200pcs/carton, 545*212*340mm
<b>Weight</b>	0.09KG/PC
<b>Contents</b>	1x M8 bolt (30mm) withD-module



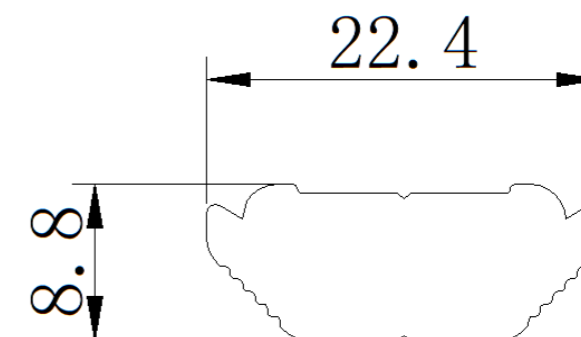
## MG-TFE-01



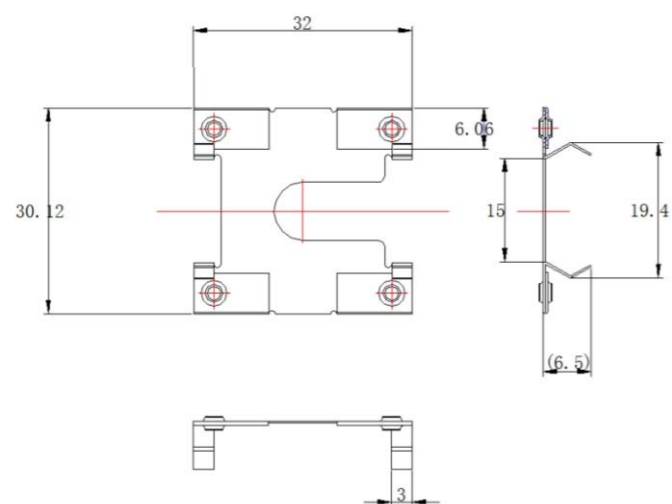
<b>Product CODE</b>	MG-TFE-01
<b>Product Name</b>	Thin Film End Clamp Kit 80MM
<b>MATERIAL</b>	AL6005-T5 & SS304 Bolt
<b>SURFACE TREATMENT</b>	ANODIZING 10um
<b>Package</b>	200pcs/carton, 545*212*340mm
<b>Weight</b>	0.07KG/PC
<b>Contents</b>	1x M8 bolt (30mm) withD-module

## MG-DM-25

<b>Product CODE</b>	MG-DM-25
<b>Product Name</b>	M8*25MM Nut Kit
<b>MATERIAL</b>	AL6005-T5 & SS304 Bolt
<b>SURFACE TREATMENT</b>	ANODIZING 10um
<b>Package</b>	2000pcs/carton,545*212*340mm
<b>Weight</b>	24G/PC
<b>Contents</b>	1x M8 bolt(25mm) withD-module



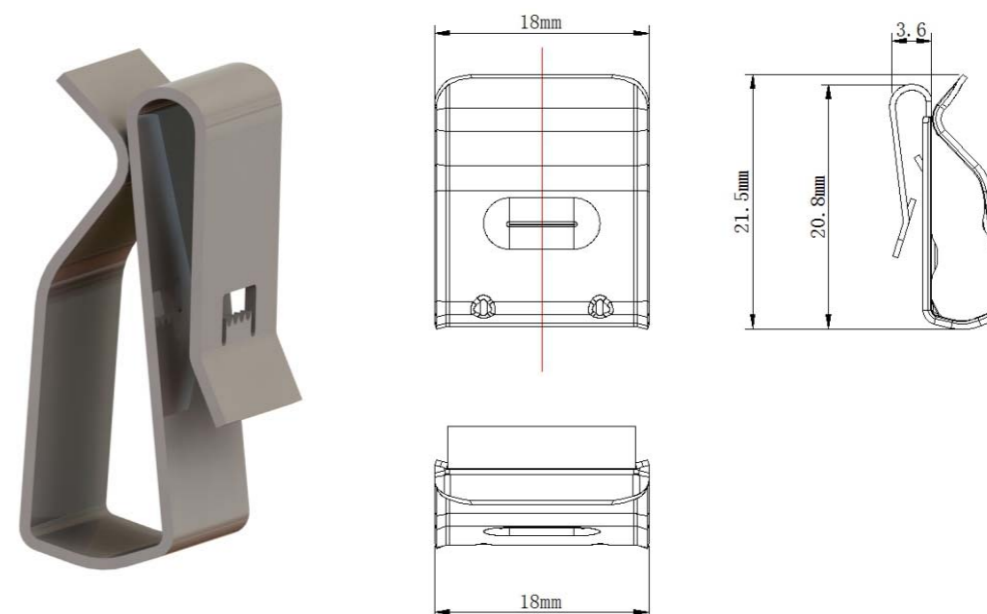
## MG-G-GC



<b>Product CODE</b>	MG-G-GC
<b>Product Name</b>	Grounding Clip
<b>MATERIAL</b>	SS304
<b>SURFACE TREATMENT</b>	Stainless Steel
<b>Package</b>	4000pcs/carton,545*212*340mm
<b>Weight</b>	2G/PC

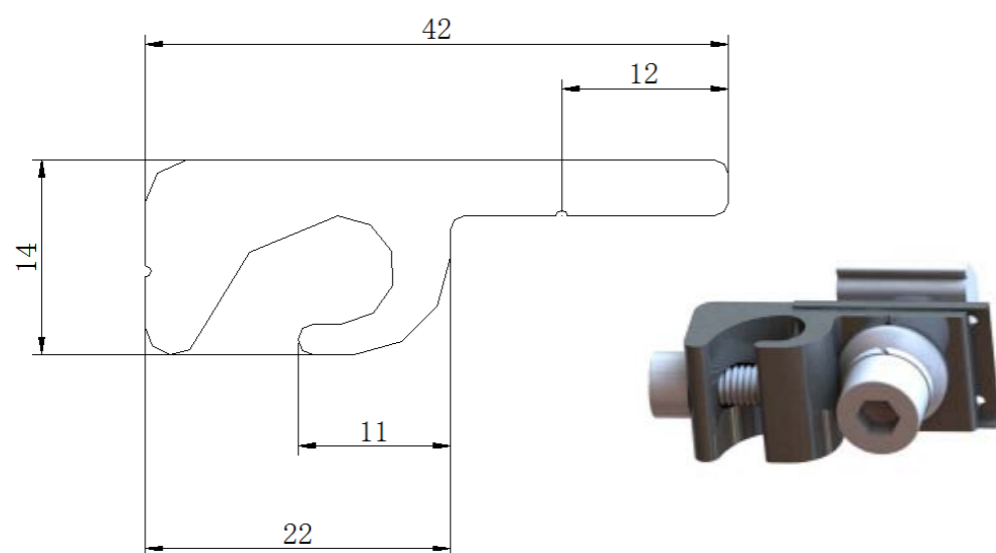
## MG-SSCC-01

<b>Product CODE</b>	MG-SSCC-01
<b>Product Name</b>	Cable Clip
<b>MATERIAL</b>	SS304
<b>SURFACE TREATMENT</b>	Stainless Steel
<b>Package</b>	4000pcs/carton,545*212*340mm
<b>Weight</b>	4G/PC
<b>Application</b>	1-2pcs Cables, Cable DIA 5.0-6.5mm





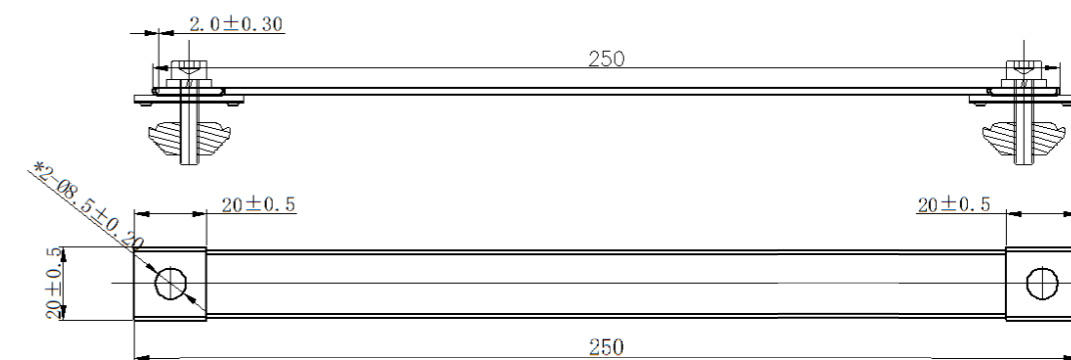
## MG-G-GL



<b>Product CODE</b>	MG-G-GL
<b>Product Name</b>	Grounding Lug
<b>MATERIAL</b>	AL6005-T5 & SS304 Bolt
<b>SURFACE TREATMENT</b>	CHROME PLATING50um
<b>Package</b>	800pcs/carton,545*212*340mm
<b>Weight</b>	50G/PC
<b>Contents</b>	1x M8 bolt(25mm) with D-module, 1x M8 bolt(20mm)

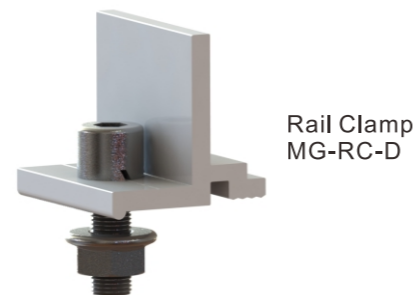
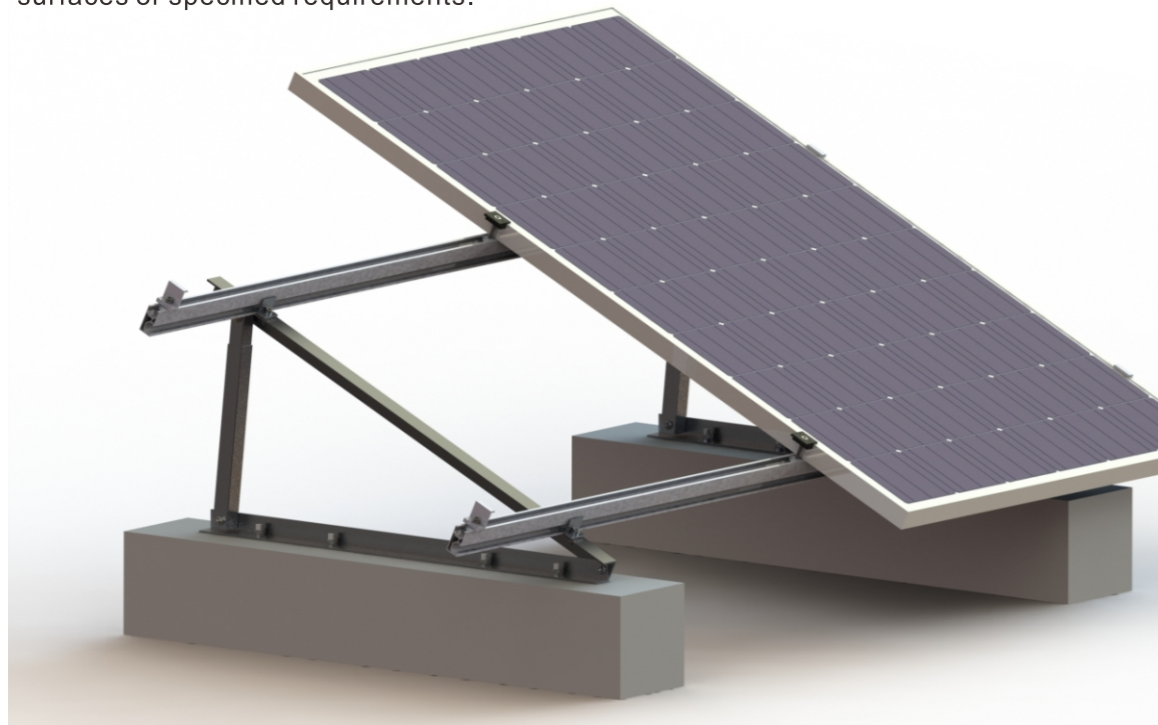
## MG-G-BJ

<b>Product CODE</b>	MG-G-BJ
<b>Product Name</b>	Bonding Jumper
<b>MATERIAL</b>	Cu
<b>Package</b>	200pcs/carton,545*212*340mm
<b>Weight</b>	110G/PC
<b>Contents</b>	2x M8 bolt(25mm) with D-module



## MEGA FLAT ROOFTOP SYSTEM

**MEGA FLAT ROOFTOP SYSTEM** is an aluminum flat roof solar mounting system. The triangle structural design guarantees the stability while ensuring fast and convenient installation of solar modules. The set could be designed to support one or two rows of solar modules on portrait or landscape orientation, which will adapt to various roof surfaces or specified requirements.



### Technical Parameters

Installation Site	Flat Roof	Wind Load	60m/s
Tilt Angle	5-60°	Snow Load	1.6KN/M <sup>2</sup>
Applicable Module	Framed or Frameless	Module Orientation	Portrait or Landscape
Material	Aluminum Al6005-T5(Anodized)		
Fastener	Stainless Steel(SUS304)		
Small Components	Aluminum Al6005-T5(Anodized)		

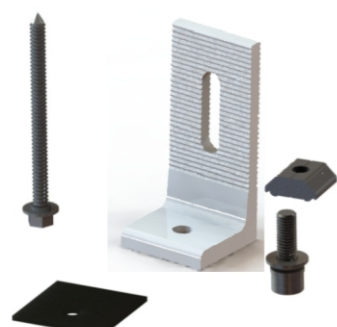
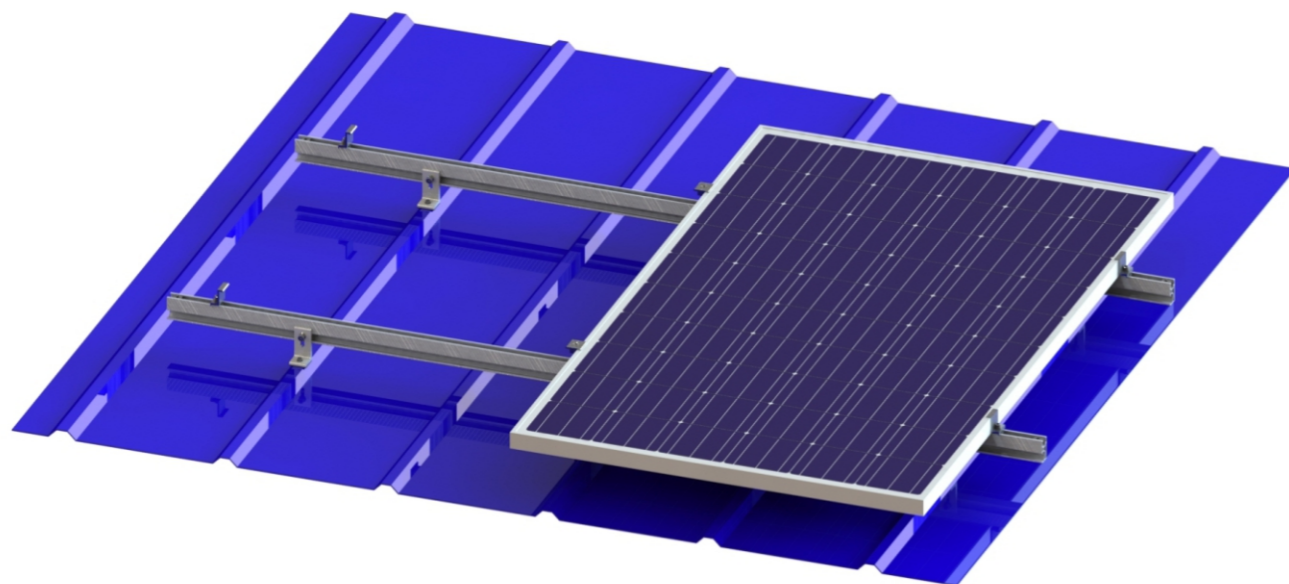
### Advantages

1. Easy Installation
2. High Quality
3. Safe and Strong
4. Aluminum Alloy: 6005-T5
5. Fasteners Material: SUS 304
6. Work on Flat Roof



## MEGA TIN ROOFTOP SYSTEM

MEGA TIN ROOFTOP SYSTEM include various cliplock series for corrugated metal roofs. By the patented components, e.g. inter clamps, end clamps and the cross module, the solar modules can be easily installed on all sort of roofs.



L-foot  
MG-IK-05



L Foot H04  
MG-IK-H04



Cliplok MH700 & L-Foot

### Technical Parameters

Installation Site	Pitched Roof	Wind Load	60m/s
Tilt Angle	5-45°	Snow Load	1.6KN/M <sup>2</sup>
Applicable Module Type	Framed or Frameless	Module Orientation	Portrait or Landscape
Material	Stainless Steel(SUS304)		
Fastener	Stainless Steel(SUS304)		
Accessories	Al6005-T5(Anodized)		

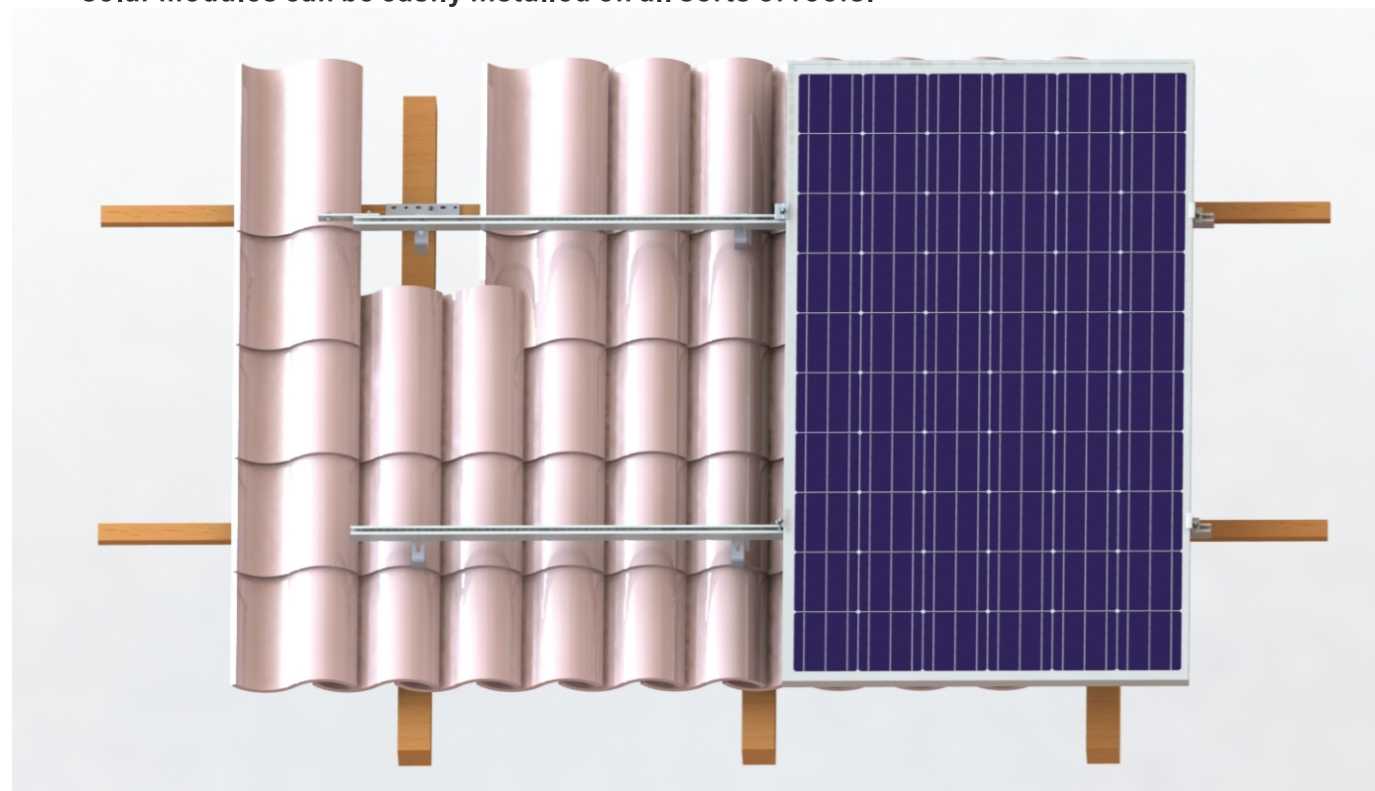
### Advantages

1. Easy Installation
2. High Quality
3. Safe and Strong
4. Aluminum Alloy: 6005-T5
5. Fasteners Material: SUS 304
6. Work on Various Tin Roofs

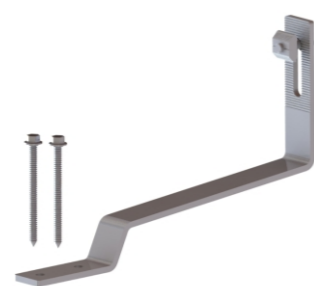


## MEGA TILE ROOFTOP SYSTEM

MEGA TILE ROOFTOP SYSTEM include various tile hook series for tile roofs. By the patented components, e.g. inter clamps, end clamps and the cross module, the solar modules can be easily installed on all sorts of roofs.



Tile Roof Hook 01  
MG-RK-01



Tile Roof Hook 02  
MG-RK-02



Tile Roof Hook 03  
MG-RK-03

### Technical Parameters

Installation Site	Pitched Roof	Wind Load	60m/s
Tilt Angle	5-45°	Snow Load	1.6KN/M <sup>2</sup>
Applicable Module Type	Framed or Frameless	Module Orientation	Portrait or Landscape
Material	Stainless Steel(SUS304)		
Fastener	Stainless Steel(SUS304)		
Accessories	Al6005-T5(Anodized)		

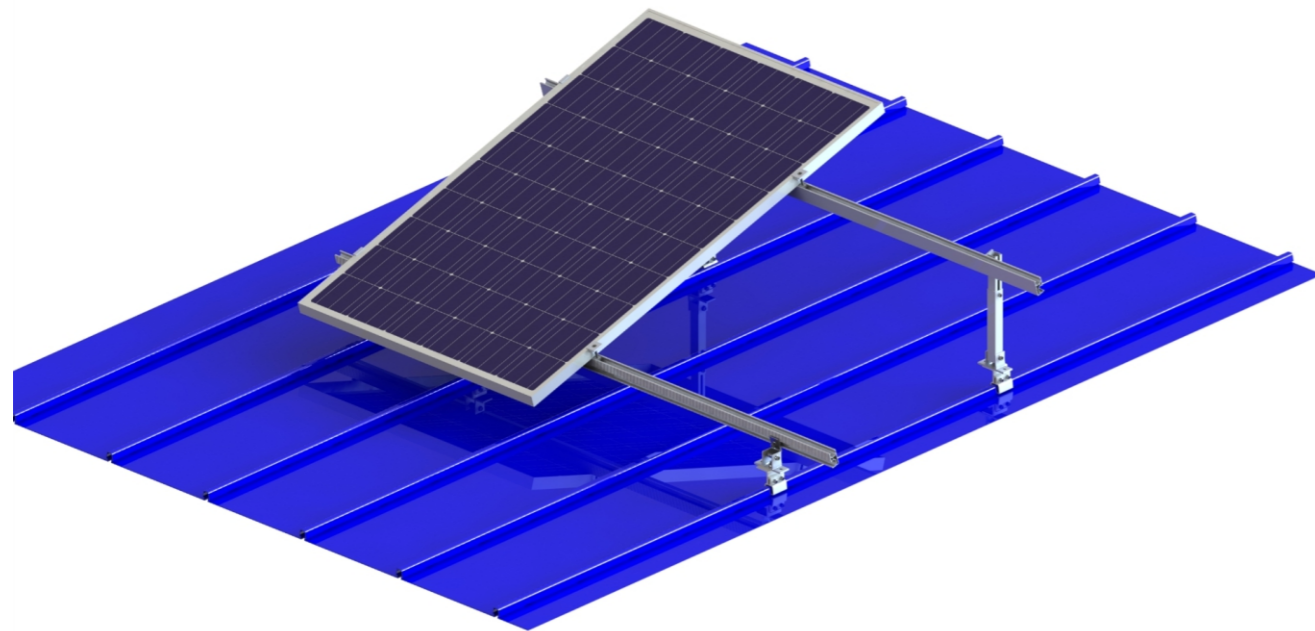
### Advantages

1. Easy Installation
2. High Quality
3. Safe and Strong
4. Material: SUS 304
5. Work on Various Tile Roofs



## MEGA TILT ROOFTOP SYSTEM

MEGA TILT ROOFTOP SYSTEM is an adjustable roof solar mounting system. The adjustable structural design guarantees the stability while ensuring fast and convenient installation of solar modules. The set could be designed to support one or two rows of solar modules on portrait or landscape orientation, which will adapt to various roof surfaces or specified requirements.



Cliplok MH700 & Front Leg



Rear Leg(10-15)  
MG-AD-RL-10/15

Rear Leg(15-30)  
MG-AD-RL-15/30

### Technical Parameters

Installation Site	Tin Roof	Wind Load	60m/s
Tilt Angle	5-60°	Snow Load	1.6KN/M <sup>2</sup>
Applicable Module Type	Framed or Frameless	Module Orientation	Portrait or Landscape
Material	Aluminum Al6005-T5(Anodized)		
Fastener	Stainless Steel(SUS304)		
Accessories	Aluminum Al6005-T5(Anodized)		

### Advantages

1. Easy Installation
2. High Quality
3. Safe and Strong
4. Material: SUS 304
5. Work on Various Tin Roofs

